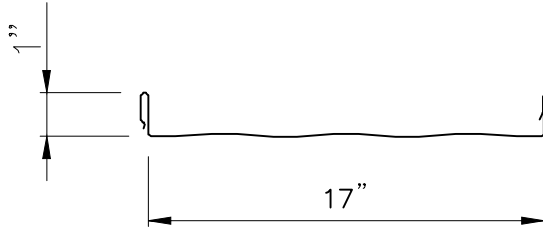
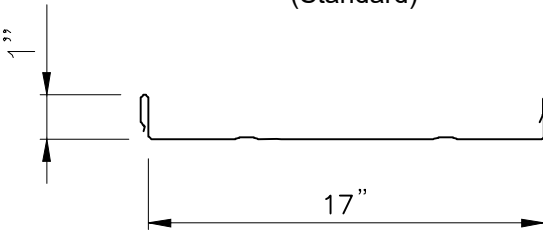


1" SnapLock Panel

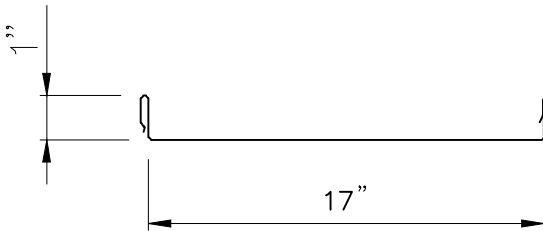
Product Data



STRIATED PROFILE
(Standard)



MINOR RIBS PROFILE
(Optional)



FLAT PAN PROFILE
(Optional)

Applications

Snap Seamed roof panel used on slopes down to 3:12 for 1" and 1.5:12 for 1 1/2". Standard Panel lengths up to 50'. Please inquire for longer lengths.

Substrates

Plywood, Metal Deck, Rigid Insulation/Metal Deck or Open Framing.

Material

Standard - 26 GA. ASTM A792 (50 ksi steel) AZ55 - Bare
AZ50 - Painted
Optional - 24 GA. ASTM A792 (50 ksi steel) AZ55 - Bare
AZ50 - Painted

Manufacturing

Roll formed in factory.

Finishes

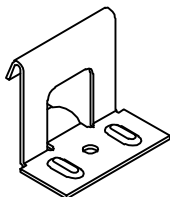
Acrylic Coated Galvalume®
Fluoropolymer (Kynar 500® PVDF resin-based)

Pan Conditions

Flat Pan, Minor Ribs or Striated
Oil canning is inherent in all metal panels and is not cause for panel rejection. A signed oil canning acknowledgement will be required for all orders prior to production.

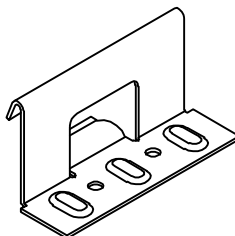
NOTE:

All data represented on this sheet may not be applicable to all widths and gauges.



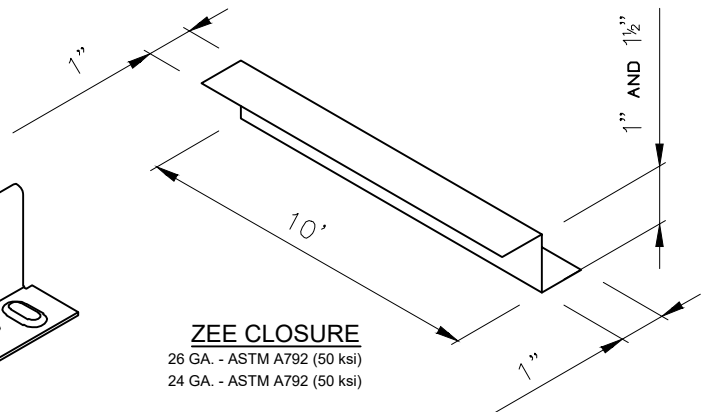
STANDARD CLIP

16 GA. Galvanized G90 - ASTM A653 (50 ksi)



UL-90 CLIP

16 GA. Galvanized G90 - ASTM A653 (50 ksi)



ZEE CLOSURE

26 GA. - ASTM A792 (50 ksi)
24 GA. - ASTM A792 (50 ksi)