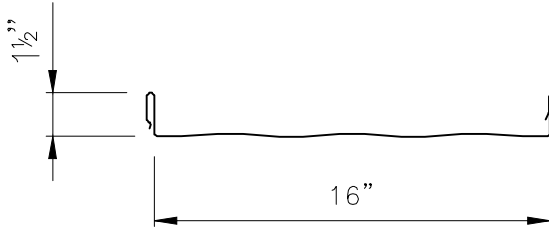
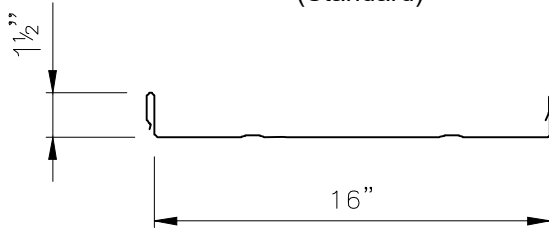


## 1 1/2" SnapLock Panel

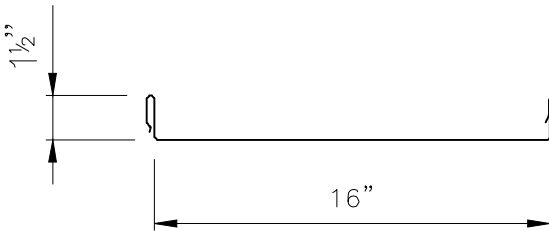
## Product Data



**STRIATED PROFILE**  
(Standard)



**MINOR RIBS PROFILE**  
(Optional)



**FLAT PAN PROFILE**  
(Optional)

**Applications**

Snap Seamed roof panel used on slopes down to 3:12 for 1" and 1.5:12 for 1 1/2". Standard Panel lengths up to 50'. Please inquire for longer lengths.

**Substrates**

Plywood, Metal Deck, Rigid Insulation/Metal Deck or Open Framing.

**Material**

Standard - 26 GA. ASTM A792 (50 ksi steel) AZ55 - Bare  
AZ50 - Painted  
Optional - 24 GA. ASTM A792 (50 ksi steel) AZ55 - Bare  
AZ50 - Painted

**Manufacturing**

Roll formed in factory.

**Finishes**

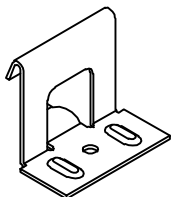
Acrylic Coated Galvalume®  
Fluoropolymer (Kynar 500® PVDF resin-based)

**Pan Conditions**

Flat Pan, Minor Ribs or Striated  
Oil canning is inherent in all metal panels and is not cause for panel rejection. A signed oil canning acknowledgement will be required for all orders prior to production.

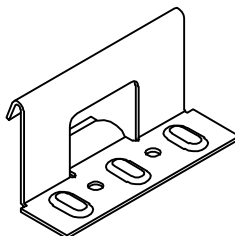
**NOTE:**

All data represented on this sheet may not be applicable to all widths and gauges.



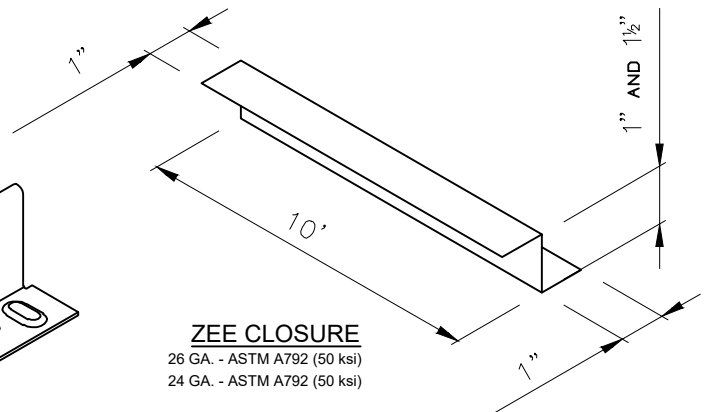
**STANDARD CLIP**

16 GA. Galvanized G90 - ASTM A653 (50 ksi)



**UL-90 CLIP**

16 GA. Galvanized G90 - ASTM A653 (50 ksi)



**ZEE CLOSURE**

26 GA. - ASTM A792 (50 ksi)  
24 GA. - ASTM A792 (50 ksi)