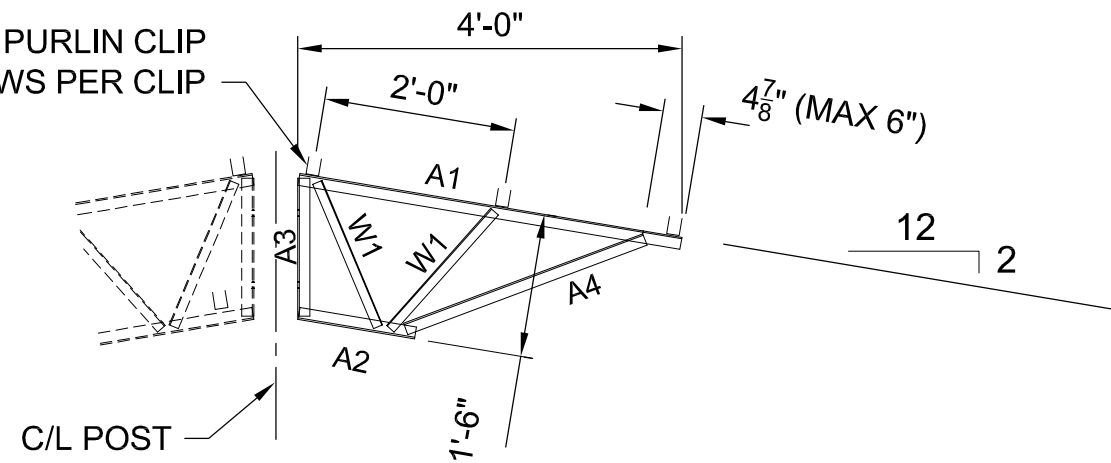


TRUSS RIDGE CONNECTION:
MIN. 2 EACH 1/2" DIA
GR 5 BOLTS OR EQUAL

16 GA (MIN THICKNESS) PURLIN CLIP
W/ MIN 4-8D NAILS OR #8 SCREWS PER CLIP



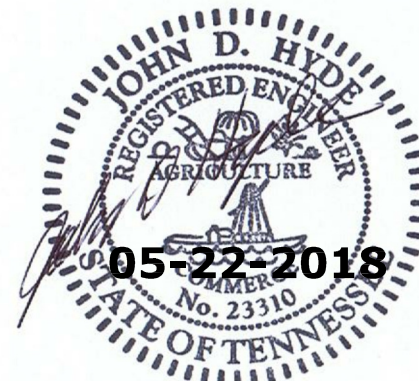
TRUSS DETAIL

BILL OF MATERIALS

MARK	DESCRIPTION	LENGTH	NUMBER REQUIRED	MATERIAL
A1	TOP CHORD	L 1 1/2 x 1 1/2 x 3/16	4'-0 7/16	1 A36
A2	BOTTOM CHORD	L 1 1/2 x 1 1/2 x 3/16	1'-2 3/4"	1 A36
A3	VERTICAL END	L 1 1/2 x 1 1/2 x 3/16	1'-5 1/4"	1 A36
A5	BOTTOM CHORD	L 1 1/2 x 1 1/2 x 3/16	2'-8"	1 A36
W1	WEB	L 1 1/2 x 1 1/2 x 1/8	1'-7 9/16"	2 A36

DESIGN LOAD NOTES:
FOR TRUSS SPACING = 12' ALLOWABLE DEAD LOAD = 6 PSF
FOR TRUSS SPACING = 10' ALLOWABLE DEAD LOAD = 8 PSF
FOR TRUSS SPACING = 8' ALLOWABLE DEAD LOAD = 10 PSF

WIND LOAD = 90 MPH (INTERNATIONAL BUILDING CODE 2009)

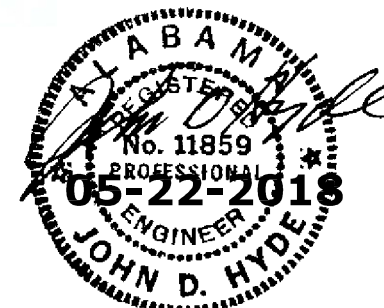


BY:
JOHN D. HYDE, PE
AL PE LIC 11859
GA PE REG 019213
TN PE REG 23310
177 ARLINGTON RD
ARAB, AL 35016
PH 256-572-0195
jdhyde@mindspring.com

- DESIGN CRITERIA - 2015 IBC
- DESIGN LOADS PER ASCE 7-10
 - REQUIREMENT FOR STEEL - ASTM A-36
 - ROOF LIVE LOAD = 20 PSF
DEAD LOAD = SEE DESIGN LOAD NOTES
 - DESIGN WIND SPEED = 115 MPH
 - WIND RISK CATEGORY II
 - WIND EXPOSURE CATEGORY B
 - BUILDING CATEGORY II
 - GROUND SNOW LOAD = 15 PSF
 - IMPORTANCE FACTOR 1.0
 - ROOF UNHEATED - NOT SLIPPERY

THIS DRAWING WAS PRODUCED BY JOHN D. HYDE AND MAY NOT BE MODIFIED IN ANY WAY NOR SHALL THIS DRAWING BE USED BY ANYONE OTHER THAN AGCOR STEEL, LLC. OR ITS ASSIGNS WITHOUT THE EXPRESS WRITTEN PERMISSION OF JOHN D. HYDE WHOSE PROFESSIONAL ENGINEER'S STAMP APPEARS ON THIS DRAWING.

- NOTES:**
- PURLINS TO BE MINIMUM 2x6 #2 SYP (SPACED MAXIMUM 2'-0" O.C.).
 - FABRICATOR TO VERIFY DIMENSIONS BEFORE FABRICATION.
 - CONTRACTOR RESPONSIBLE FOR TEMPORARY CONSTRUCTION & PERMANENT BRACING.
 - ALL WELDS AND WELDING PER AWS.
 - STRUCTURAL STEEL AND FABRICATION PER AISC.
 - FASTENERS INSTALLED WITH TREATED WOOD MUST BE MANUFACTURER RECOMMENDED FOR USE WITH THE ASSOCIATED WOOD TREATMENT.
 - DESIGN IS FOR TRUSS ONLY, SUPPORT WALLS AND/OR POSTS ARE NOT A PART OF THIS DESIGN.



AGCOR STEEL, LLC.			
4' SNOOT TRUSS			
SCALE AS NOTED	DATE 05-22-2018	DRAWN BY J. HYDE	DRAWING NO. 18-0522 - 4S
TRUSS DETAIL			SHEET NO. 1 OF 1