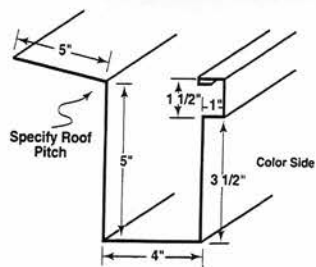


# ◆◆◆◆ MEDALLION-LOK ◆◆◆◆

## TRIM



**Eave Gutter**

**Length Girth Ga.**

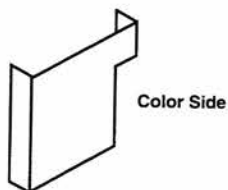
10'-3" 21" 24

20'-3" 21" 24

**Order Codes:**

ATEG10 (10'-3")

ATEG20 (20'-3")



**Gutter End Cap**

**Length Girth Ga.**

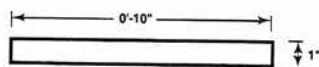
5" 6" 24

**Order Codes:**

ATGECL (Left)

or

ATGECR (Right)



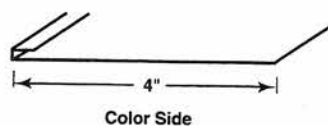
**Gutter Strap**

**Length Girth Ga.**

10" 1" 24

**Order Code:**

AT-GS



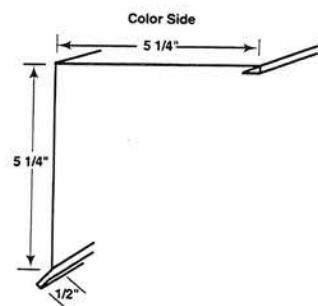
**Panel Starter Trim**

**Length Girth Ga.**

10'-0" 4 7/16" 24

**Order Code:**

ATST10



**Rake Trim**

**Length Girth Ga.**

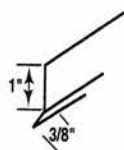
10'-3" 11 1/2" 24

20'-3" 11 1/2" 24

**Order Codes:**

A2RT10 (10'-3")

A2RT20 (20'-3")



**Perimeter Cleat**

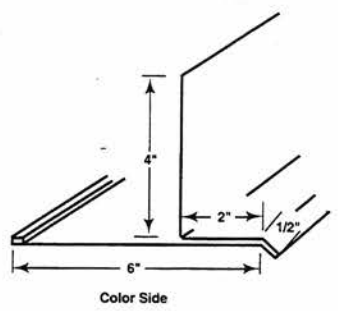
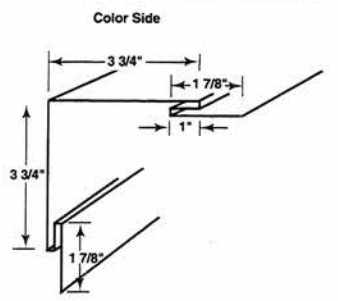
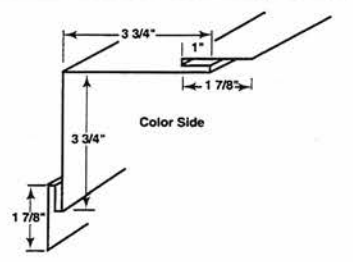
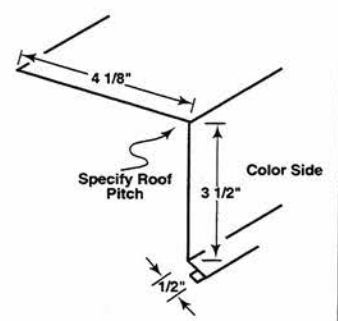
**Length Girth Ga.**

10'-0" 1 3/8" 24

**Order Code:**

ATPC10

# ◆ ◆ ◆ ◆ MEDALLION-LOK ◆ ◆ ◆ ◆

			TRIM
<p><b>Length    Girth    Ga.</b></p> <p>10'-3"    13 1/4"    24</p> <p>20'-3"    13 1/4"    24</p> <p><b>Order Codes:</b></p> <p>ITSB10 (10' 3")</p> <p>ITSB20 (20' 3")</p>	<b>Soffit Base</b>		
<p><b>Length    Girth    Ga.</b></p> <p>5'-3"    13 1/4"    24</p> <p>10'-3"    13 1/4"    24</p> <p><b>Order Codes:</b></p> <p>ATOC05 (5'-3")</p> <p>ATOC10 (10'-3")</p>	<b>Outside Corner</b>		
<p><b>Length    Girth    Ga.</b></p> <p>5'-3"    13 1/4"    24</p> <p>10'-3"    13 1/4"    24</p> <p><b>Order Codes:</b></p> <p>ATIC05 (5'-3")</p> <p>ATIC10 (10'-3")</p>	<b>Inside Corner</b>		
<p><b>Length    Girth    Ga.</b></p> <p>10'-3"    8 3/8"    24</p> <p>20'-3"    8 3/8"    24</p> <p><b>Order Codes:</b></p> <p>ATET10 (10'-3")</p> <p>ATET20 (20'-3")</p>	<b>Eave</b>		
<p><b>Length    Girth    Ga.</b></p> <p>10'-3"    3 1/2"    24</p> <p><b>Order Codes:</b></p> <p>ATPC10</p>	<b>Perimeter Zee</b>	