



TIMBERMILL®

SIMULATED CEDAR SIDING

New Timbermill® Simulated Cedar Siding from Style Crest® offers everything you love about natural cedar...

except the sanding, staining, splintering, warping, weathering and worry. It's the high-performance, low-maintenance, affordable alternative to wood.

Perfect when used as a primary siding, or as an accent to stone, brick or other cladding. Timbermill® is available in four profiles, to replicate four popular cedar siding patterns and two stunning, no-fade colors. Recreate your favorite natural cedar look and never have to undertake the maintenance that actual wood siding demands.

- Realistic appearance achieved with knots and wood grain
- Panels available in a variety of patterns to achieve an authentically random look
- Blends well with traditional siding materials when used as an accent



Single 7 (S7) and Log Cabin panels feature a foam core, adding increased impact resistance and sound deadening.



Style Crest®, Inc.
2450 Enterprise Street
Fremont, Ohio 43420
800.846.9599

timbermillsiding.com

Made in the U.S.A. by America's dedicated workforce.

Specifications subject to change without notice.
Temp-Rite® is a registered trademark of Lubrizol Corporation.
Kynar® is a registered trademark of Arkema Corporation.

© Copyright 2012 8/12 Printed in U.S.A.

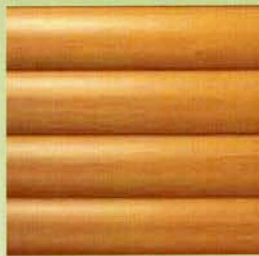
30100609NL

It's Knot What You Think.



Performance Benefits

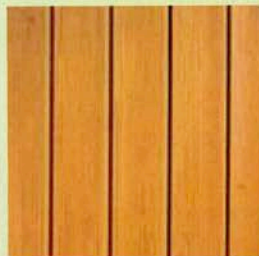
- **No painting, staining or sealing necessary**
- **Kynar® PVDF film finish for advanced color protection**
- **Impervious to wood-boring insects**
- **Temp-Rite® high performance substrate to withstand extreme weather**
- **Covered by a Limited Lifetime Warranty**



Log Cabin
Shown in American Cedar



Single 7 (S7)
Shown in Forest Brown



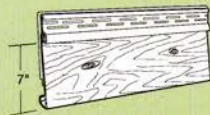
Soffit or Vertical Siding (D5)
Shown in American Cedar



Double 4 (D4)
Shown in Forest Brown

All Timbermill® products are available in two natural woodgrain colors.

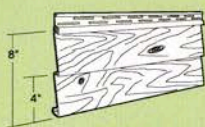
Profiles Available



Single 7 (S7)
Profile Height: 7"
Panel Length: 12' 3"



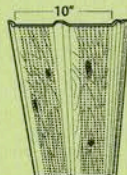
Log Cabin
Profile Height: 6 1/2"
Panel Length: 12' 1"



Double 4 (D4)
Profile Height: 8"
Panel Length: 12' 6"

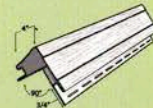


D5 Soffit or D5 Vertical Siding
Profile Height: 10"
Panel Length: 12' 0"

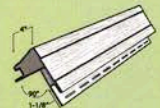


D5 Vented Soffit
Profile Height: 10"
Panel Length: 12' 0"

Accessories



4" Outside Corner with 3/4" Receiver and Pre-installed Foam Inserts
Length: 12' 0"



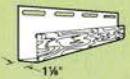
4" Outside Corner with 1 1/2" Receiver and Pre-installed Foam Inserts
Length: 12' 0"



1/2" J Channel Log Cabin Panel
Length: 12' 6"



3/4" J Channel Log Cabin Panel
Length: 12' 6"



1 1/2" J Channel Log Cabin Panel
Length: 12' 6"



Inside Corner
Length: 10' 0"



3 1/2" Door/Window Casing
Length: 12' 6"

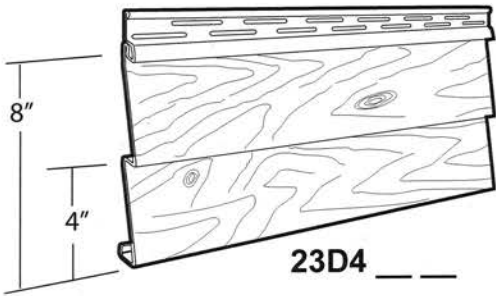
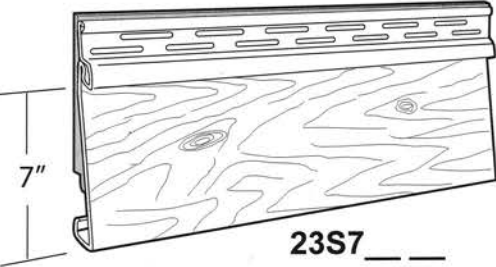
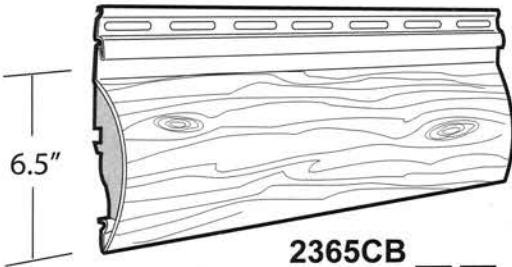
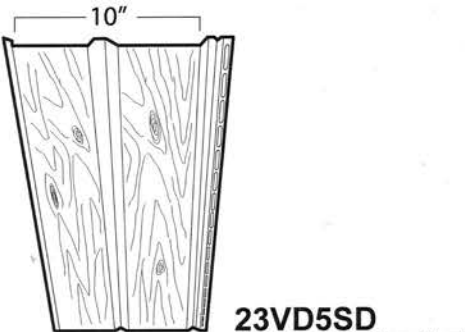


Finish Trim
Length: 12' 6"



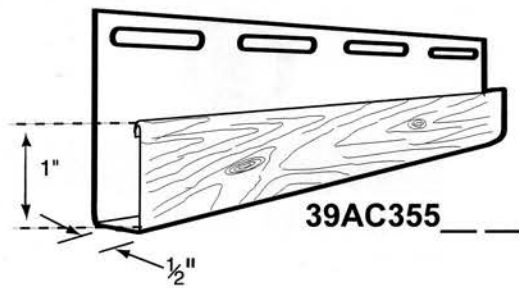
TIMBERMILL®
SIMULATED CEDAR SIDING

SPECIALTY OUTDOOR PRODUCTS
Simulated Cedar Siding & Accessories
Timbermill® Data Sheet

Illustration	Description	Color
 <p>23D4 _ _</p>	<p>Double 4 Length 12' - 6" 12 Panels/Carton Carton Weight: 76.90 lbs. 1 Sq./Carton <i>Uses Standard Starter Strip</i> <i>Uses 39ADF412__ Corner</i></p>	<p>Stained American Cedar (93) Stained Forest Brown (95)</p>
 <p>23S7 _ _</p>	<p>Single 7 Insulated Panel Length 12' - 3" 14 Panels/Carton Carton Weight: 50 lbs. 1 Sq./Carton <i>Uses 21ESS Starter Strip</i> <i>Uses 39AD118F412__ Corner</i></p>	<p>Stained American Cedar (93) Stained Forest Brown (95)</p>
 <p>2365CB _ _</p>	<p>Log Cabin Insulated Panel Length 12' - 1" 15 Panels/Carton Carton Weight: 59.50 lbs. 1 Sq./Carton <i>Uses 39001 Starter Strip</i> <i>Uses 39AD118F412__ Corner</i></p>	<p>Stained American Cedar (93) Stained Forest Brown (95)</p>
 <p>23VD5SD _ _</p>	<p>D5 Soffit or D5 Vertical Siding Length 12' - 0" 20 Panels/Carton Carton Weight: 85 lbs. 200 Sq. Ft./Carton</p>	<p>Stained American Cedar (93) Stained Forest Brown (95)</p>

Siding and Soffit
Green Approved

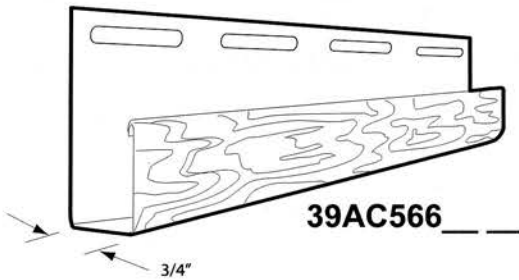




1" Face 1/2" J-Channel

Length 12' - 6"
 40 Pcs./Carton
 Carton Weight: 56.10 lbs.
 500 Linear Ft.

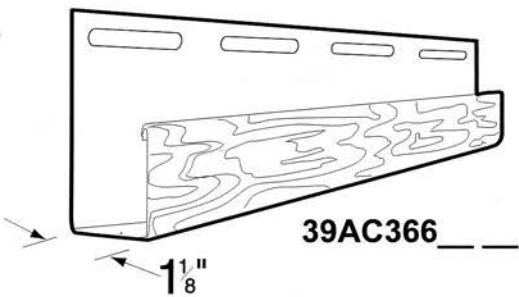
Stained American Cedar (93)
 Stained Forest Brown (95)



1" Face 3/4" J-Channel

Length 12' - 6"
 40 Pcs./Carton
 Carton Weight: 46.40 lbs.
 500 Linear Ft.

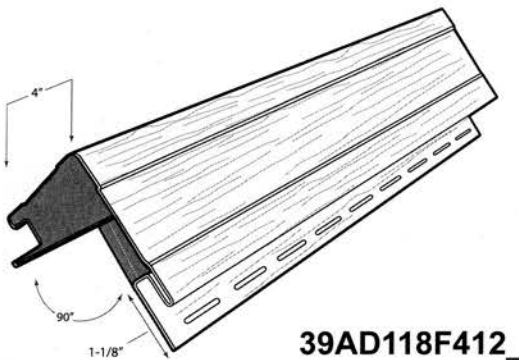
Stained American Cedar (93)
 Stained Forest Brown (95)



1" Face 1-1/8" J-Channel

Length 12' - 6"
 24 Pcs./Carton
 Carton Weight: 40 lbs.
 500 Linear Ft.

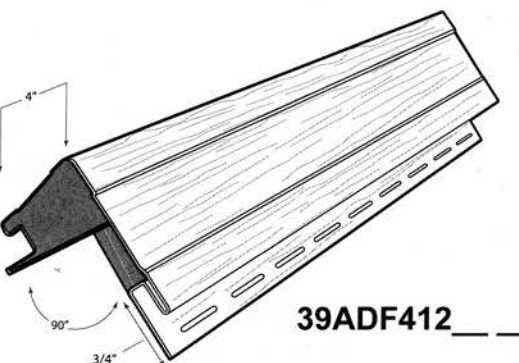
Stained American Cedar (93)
 Stained Forest Brown (95)



4" Outside Corner

w 1-1/8" Receiver
w Pre-installed Foam Inserts
 Length 12' - 0"
 6 Pcs./Carton
 Carton Weight: 51.48 lbs.
 72 Linear Ft.

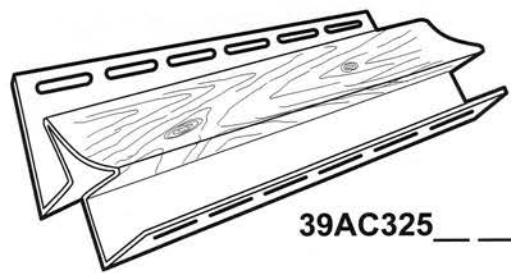
Stained American Cedar (93)
 Stained Forest Brown (95)



4" Outside Corner

w 3/4" Receiver
w Pre-Installed Foam Inserts
 Length 12' - 0"
 6 Pcs./Carton
 Carton Weight: 46.70 lbs.
 72 Linear Ft.

Stained American Cedar (93)
 Stained Forest Brown (95)

Illustration**Description****Color****Inside Corner Post**

w 1-3/8" Face

w 3/4" Receiver

Length 10' - 0"

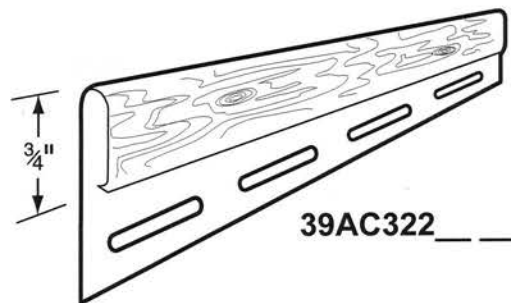
10 Pcs./Carton

Carton Weight: 24.70 lbs.

100 Linear Ft.

Stained American Cedar (93)

Stained Forest Brown (95)

**Finish Trim**

w 3/4" Face

Length 12' - 6"

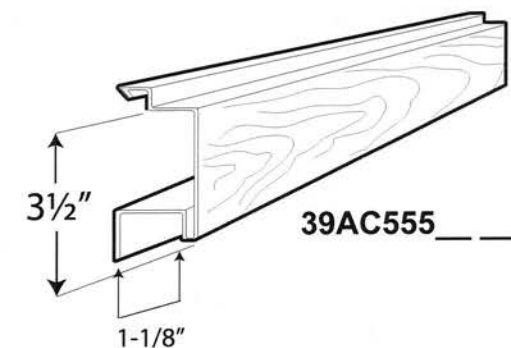
40 Pcs./Carton

Carton Weight: 49.90 lbs.

500 Linear Ft.

Stained American Cedar (93)

Stained Forest Brown (95)

**Window Lineal / Door Trim**

w 3-1/2" Face

w 1-1/8" Receiver

Length 12' - 6"

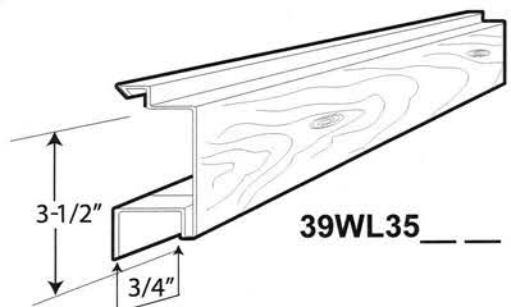
24 Pcs./Carton

Carton Weight: 56.10 lbs.

300 Linear Ft.

Stained American Cedar (93)

Stained Forest Brown (95)

**Window Lineal / Door Trim**

w 3-1/2" Face

w 3/4" Receiver

20 Pcs./Carton

Length: 12' - 6"

Carton Weight: 54 lbs.

250 Linear Ft.

Stained American Cedar (93)

Stained Forest Brown (95)

Note: Colors are produced with TempRite® CPVC to reduce thermal distortion and are fade resistant by using Armor Coat UVA™ KYNAR® is a registered trademark of Arkema, Inc. • TempRite® is a registered trademark of IP Holdings Corporation